

Teensy 4.0 Simulator
www.skpang.co.uk

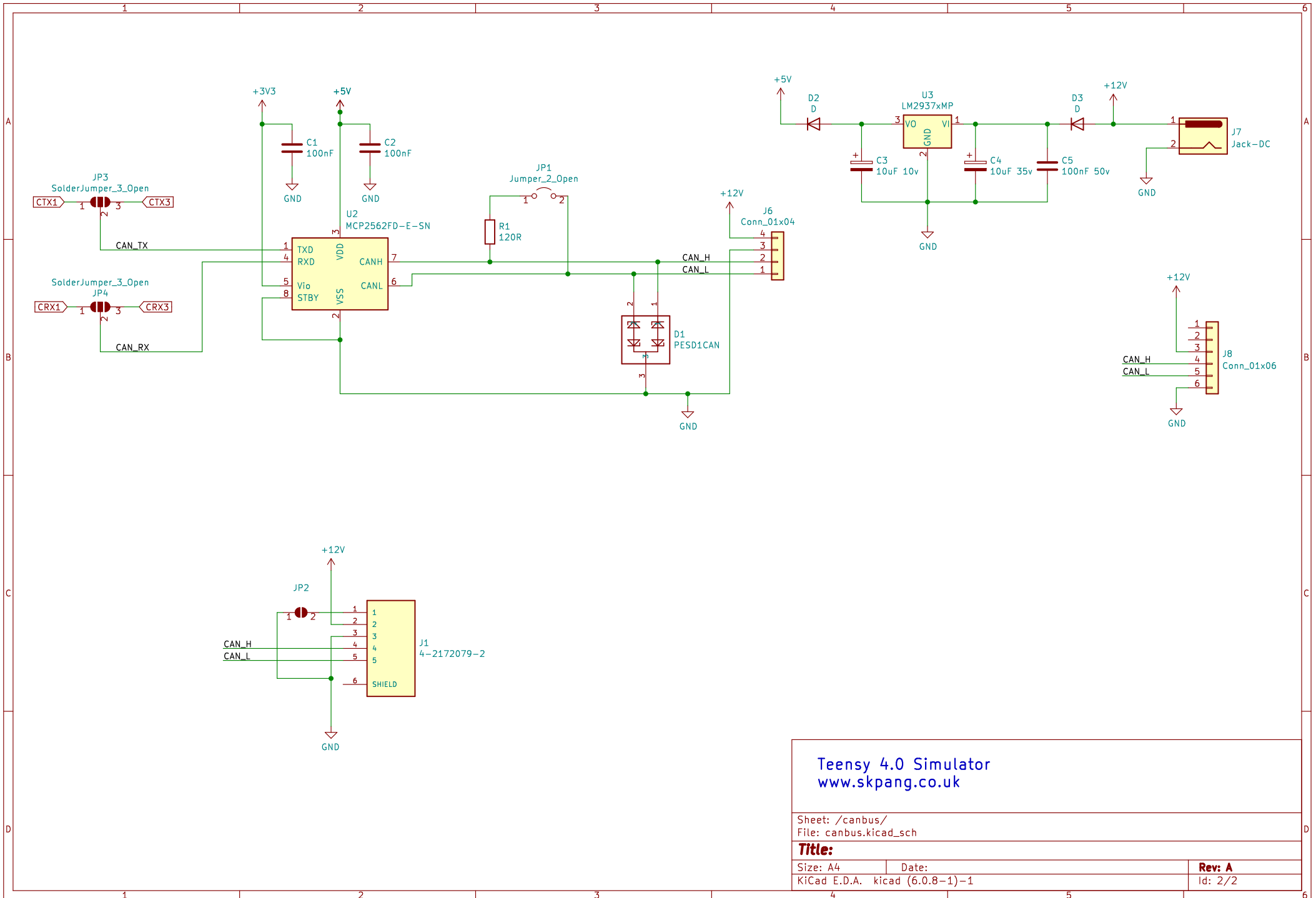
Sheet: /	12/22 skpang.co.uk
File: teensy40_simulator_rev_A.kicad_sch	
Title:	
Rev A	
Size: A4	Date:
KiCad E.D.A. kicad (6.0.8-1)-1	Rev: A
	Id: 1/2

H1 H2 H3 H4
Mounting Hole Pad

canbus



File: canbus.kicad_sch



Teensy 4.0 Simulator
www.skpang.co.uk

Sheet: /canbus/
 File: canbus.kicad_sch

Title:

Size: A4
 KiCad E.D.A. kicad (6.0.8-1)-1

Date:

Rev: A
 Id: 2/2