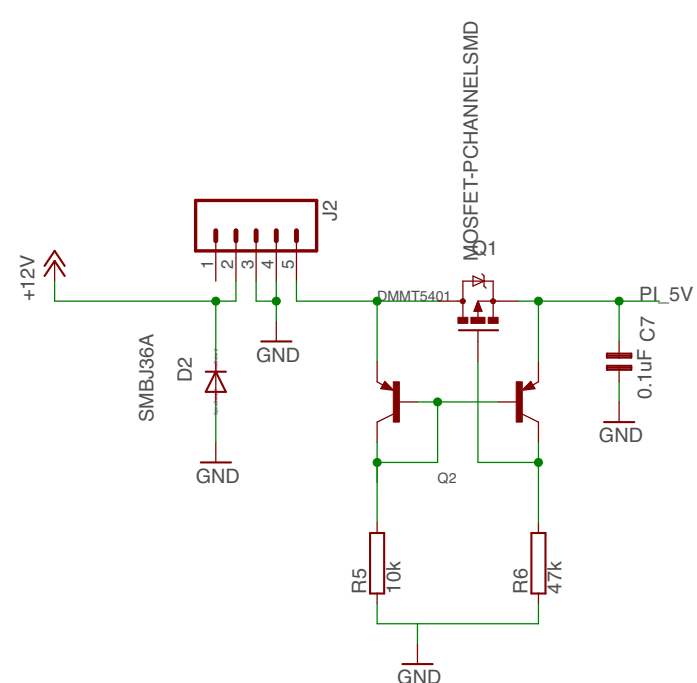
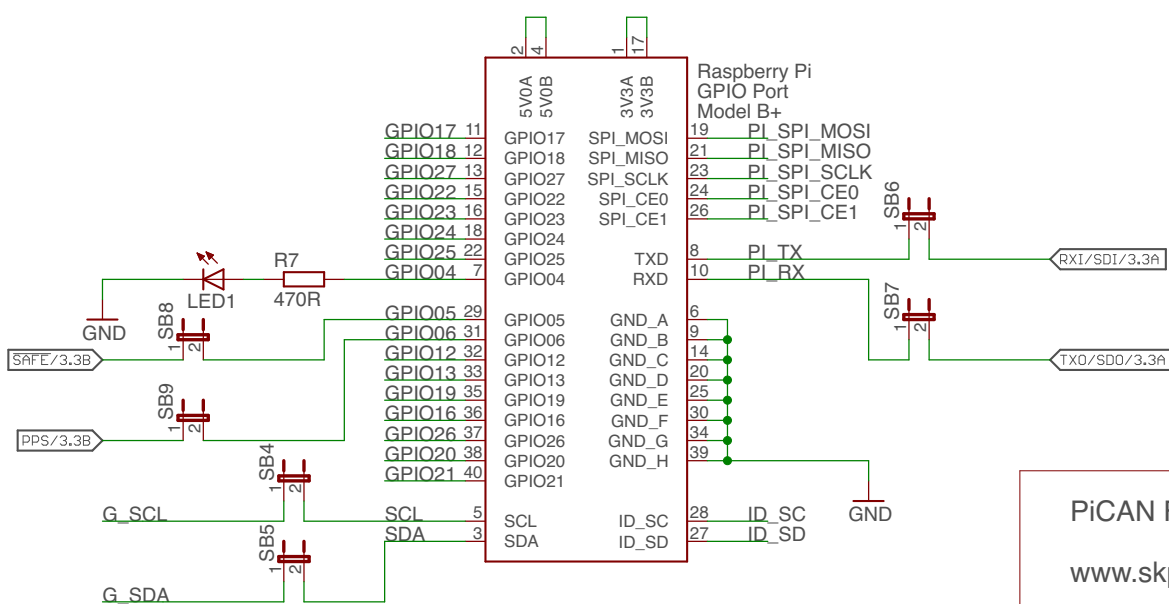


PiCAN FD GPS		pican_gps_neo_rev_C	
		03/01/2022 13:55	
www.skpang.co.uk		Sheet: 1/3	Rev B

1 2 3 4 5 6

A  
B  
C  
D



PiCAN FD GPS

[www.skpang.co.uk](http://www.skpang.co.uk)

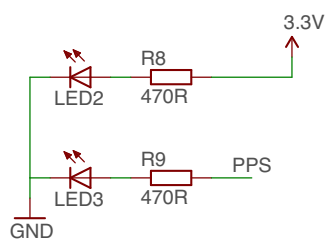
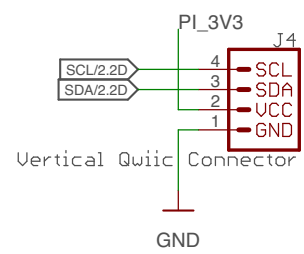
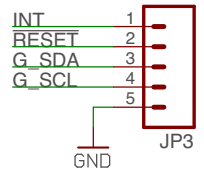
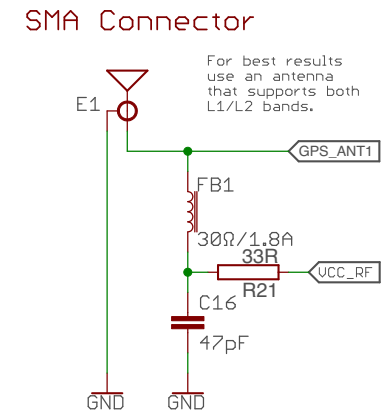
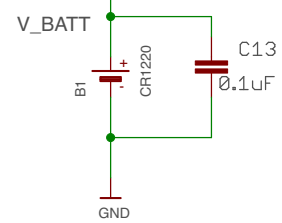
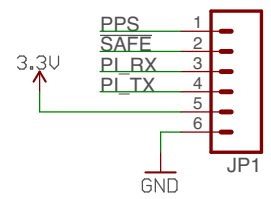
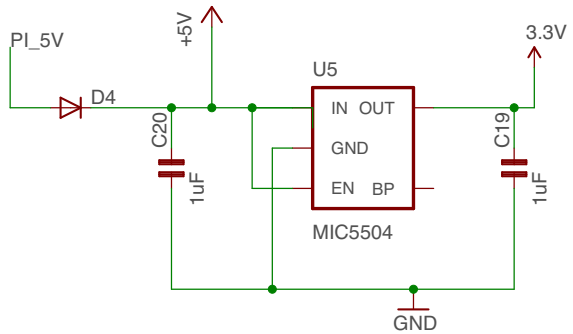
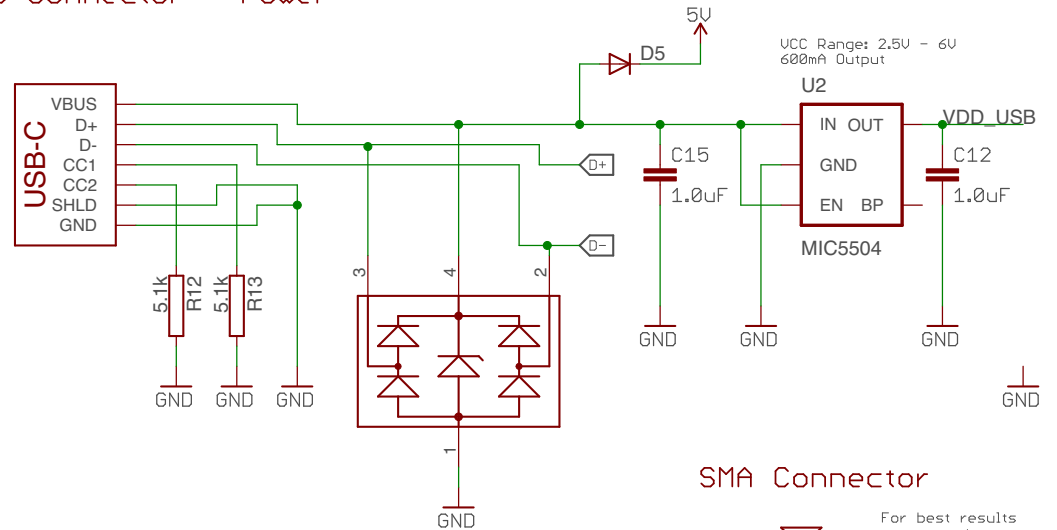
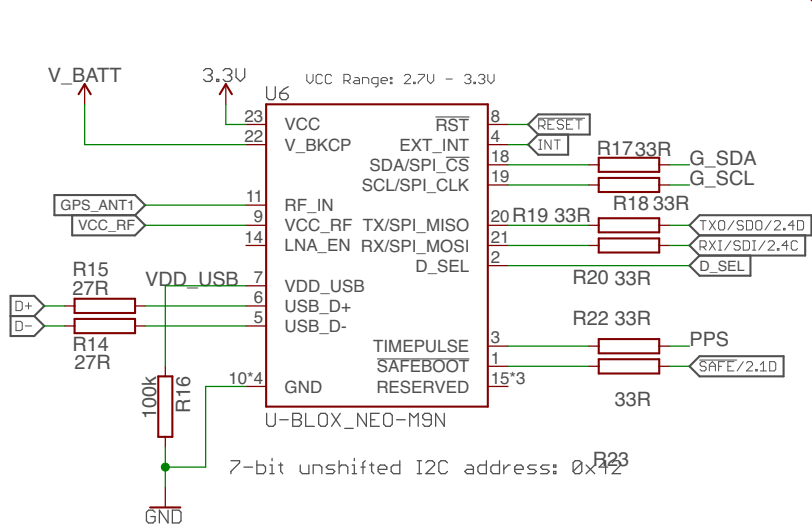
pican\_gps\_neo\_rev\_C

03/01/2022 13:55

Sheet: 2/3

1 2 3 4 5 6

# USB Connector - Power



PiCAN FD GPS			
www.skpang.co.uk		pican_gps_neo_rev_C	
		03/01/2022 13:55	
		Sheet: 3/3	Rev B