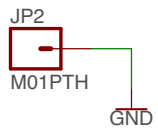
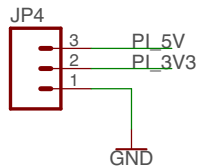
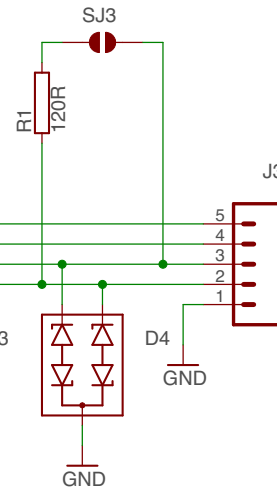
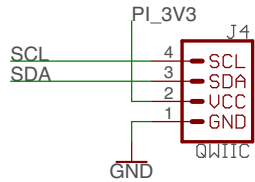
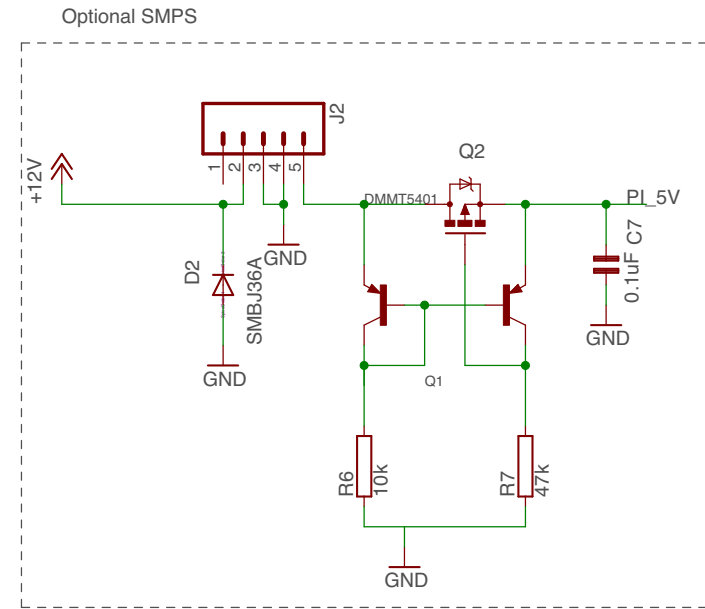
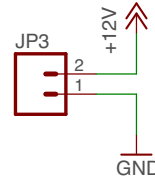
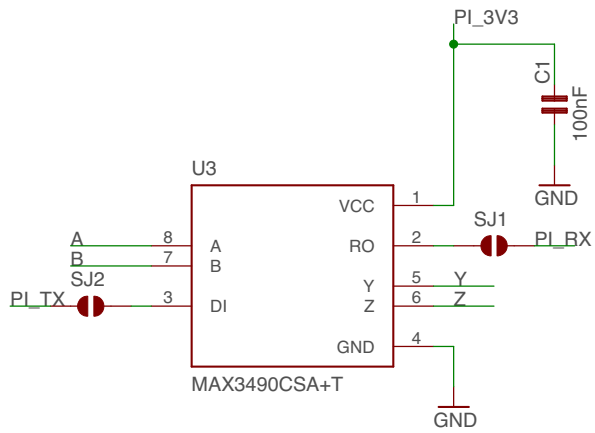


	CAN ANALYSER	OBDII	SOLDER-JOINT
CAN H	7	3	SJ2
CAN L	2	5	SJ3
GND	3	2	SJ1

PiCAN 3 Board  
www.skpang.co.uk

pican-m\_rev\_B  
17/06/2020 10:57  
Sheet: 1/2  
Rev B



PiCAN3 Board  
www.skpang.co.uk

pican-m\_rev\_B

17/06/2020 10:57

Sheet: 2/2

Rev B