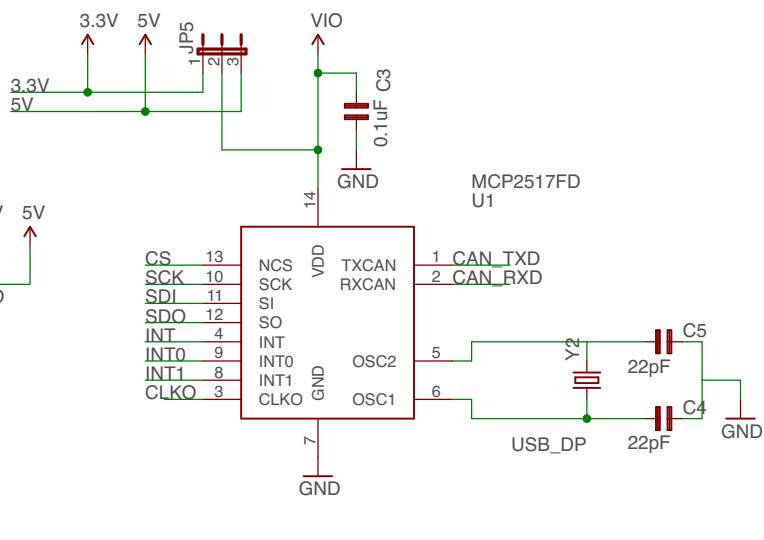
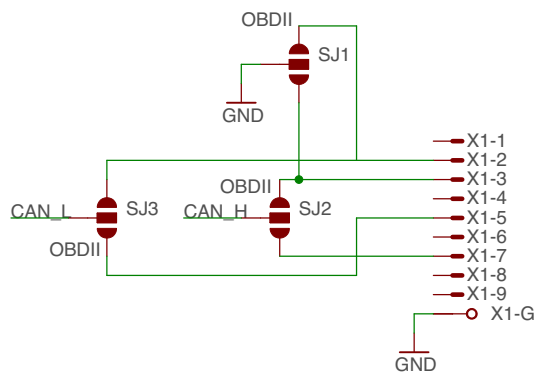


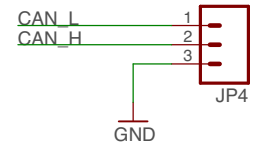
MCP2562FD



MCP2517FD
U1



	CAN ANALYSER	OBDII	SOLDER-JOINT
CAN H	7	3	SJ2
CAN L	2	5	SJ3
GND	3	2	SJ1



MCP2517FD CAN-BUS FD
Breakout Board

www.skpang.co.uk

mcp2517fd_brk_rev_1
29/09/2017 14:14
Sheet: 1/1
Rev A