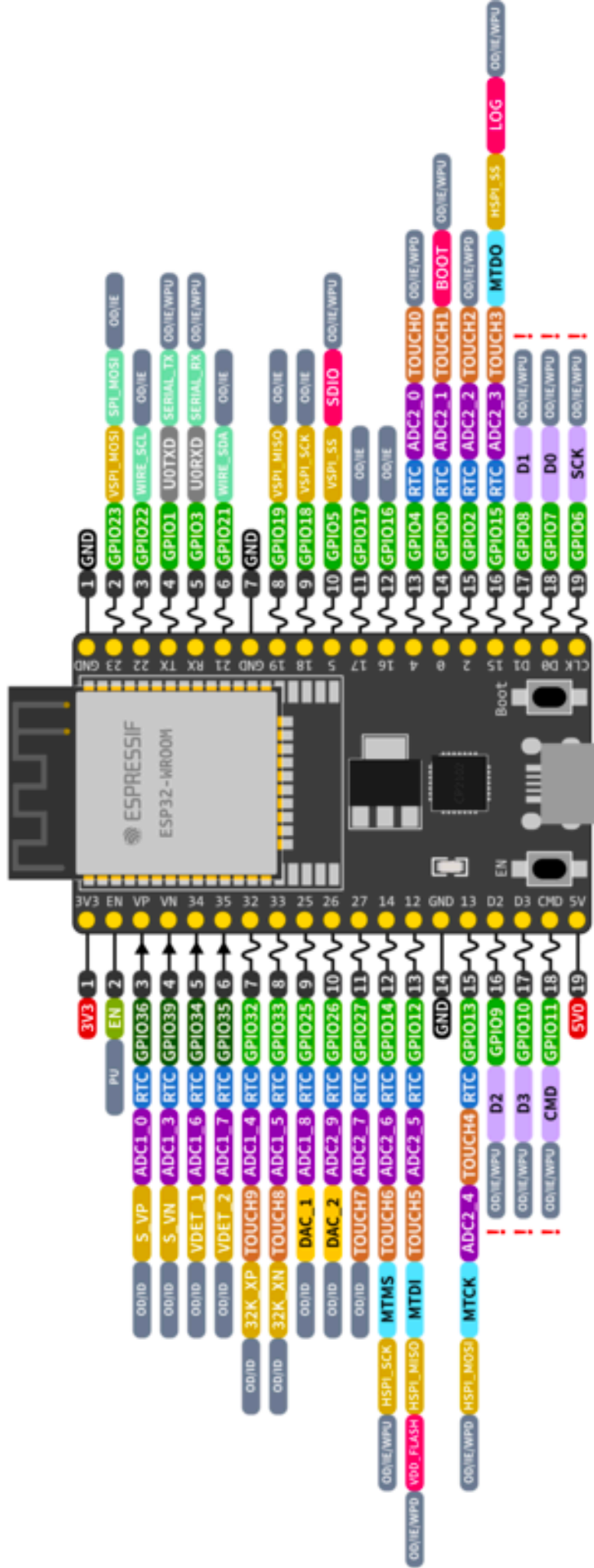


ESP32-DevKitC



ESP32 Specs

- 32-bit Xtensa® dual-core @240MHz
- Wi-Fi IEEE 802.11 b/g/n 2.4GHz
- Bluetooth 4.2 BR/EDR and BLE
- 520 KB SRAM (16 KB for cache)
- 448 KB ROM
- 34 GPIOs, 4x SPI, 3x UART, 2x I2C,
- 2x I2S, RMT, LED PWM, 1 host SD/eMMC/SDIO,
- 1 slave SDIO/SPI, TWAI®, 12-bit ADC, Ethernet

GPIOX: PWM Capable Pin
 GPIOX: GPIO Input Only
 DAC_X: GPIO Input and Output
 JTAG/USB: Digital-to-Analog Converter
 FLASH: JTAG for Debugging and USB
 ADCX_CH: External Flash Memory (SPI)
 TOUCHX: Analog-to-Digital Converter
 OTHER: Touch Sensor Input Channel
 SERIAL: Other Related Functions
 ARDUINO: Serial for Debug/Programming
 STRAP: Arduino Related Functions
 STRAP: Strapping Pin Functions

RTC: RTC Power Domain (VDD3P3_RTC)
 GND: Ground
 PWD: Power Rails (3V3 and 5V)
 !: Pin Shared with the Flash Memory
 !: Can't be used as regular GPIO

GPIO STATE
WPU: Weak Pull-up (Internal)
WPD: Weak Pull-down (Internal)
PU: Pull-up (External)
IE: Input Enable (After Reset)
ID: Input Disabled (After Reset)
OE: Output Enable (After Reset)
OD: Output Disabled (After Reset)